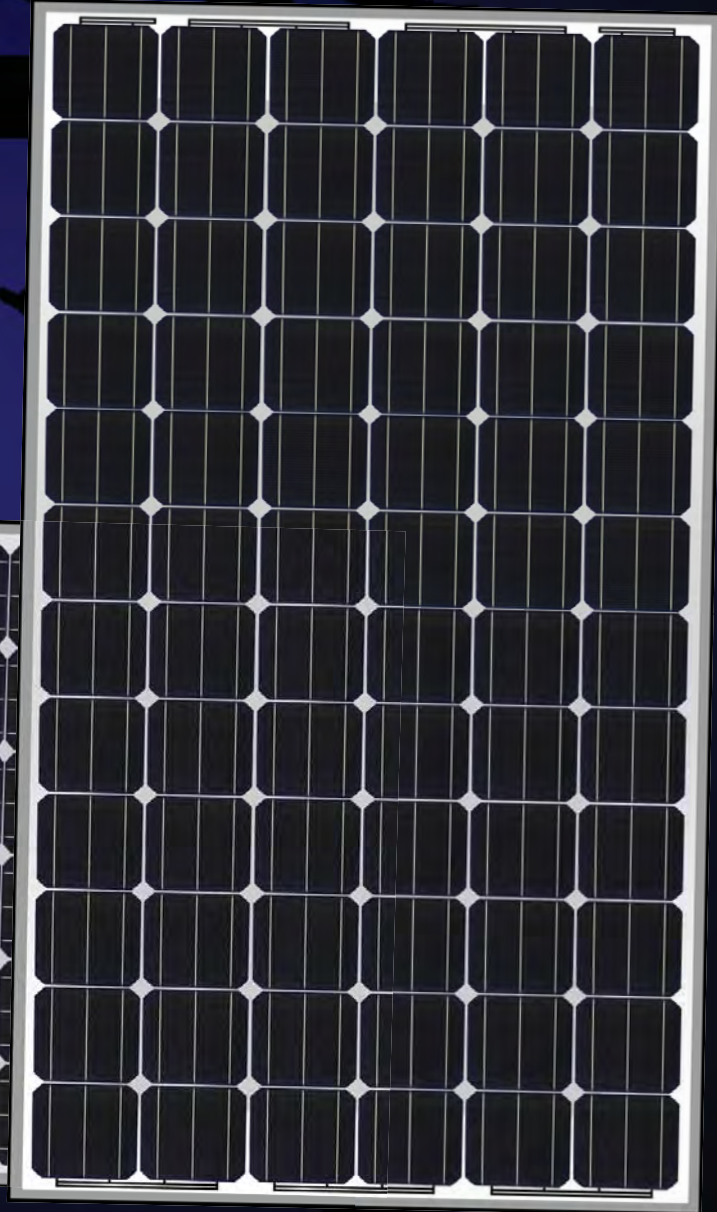
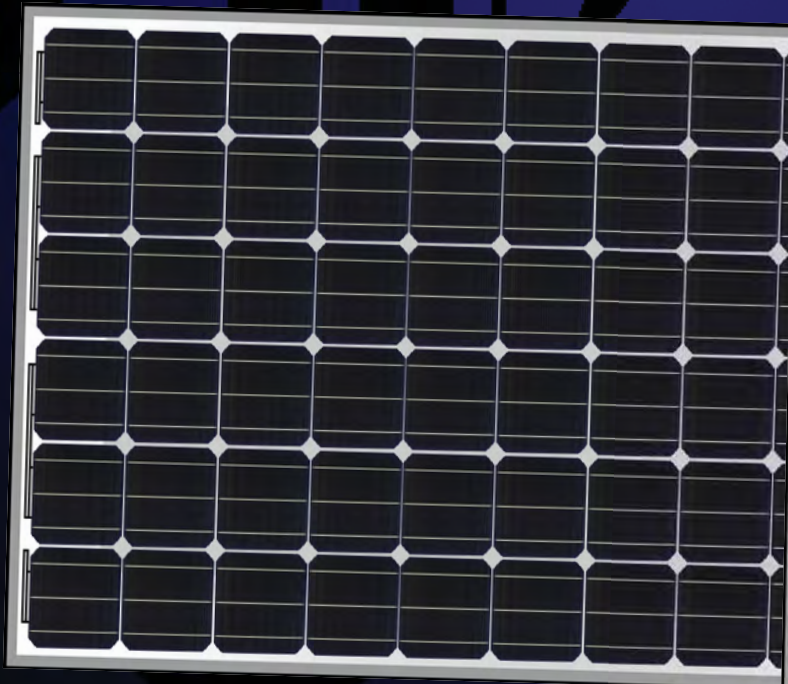


Big-King International Inc.

~Presents~

200 Watt Solar Panels

- ~Superior manufacturing over poly crystalline models
- ~Exceptional efficiency
- ~1/8' glare free tempered glass
- ~12 AWG / 4mm wire terminals
- ~Remarkable wind resistance
- ~Extreme snow loading ability
- ~Resilient to temp fluctuations



Big-King International Inc.

Kelowna BC
14000 Hwy 33 E
Kelowna BC V1P 1K2

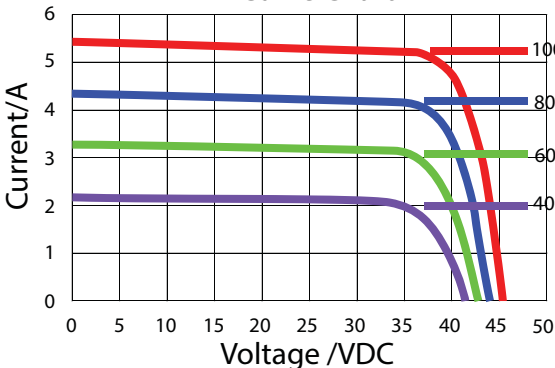
International@BigKing.Biz

403-969-5464

Calgary AB
403 Malvern Drive NE
Calgary, AB T2A 5G8

BKI200MC105 Photovoltaic Module

I-V Curve Chart



Electrical Specifications

Maximum power (Pm)	200 W
Power Tolerance	+3% %
Voltage of Max Power (Vmp)	38.38 VDC
Current at max power (Imp)	5.21 A
Open circuit voltage (Voc)	45.72 VDC
Short circuit current (Isc)	5.52 A
Solar cell efficiency	18.30 %
Operating temperature	-40c to +85c
Maximum system voltage	600 VDC
Maximum series fuse rating	10 A
Test conditions: 1000 W/meter, AM-1.5, module temperature 25c	

Environmental Specifications

Nominal operating cell temperature (Noct)	48±2 c
Current temperature coefficient (Isc)	0.05 %/K
Voltage temperature coefficient (Voc)	-0.32 %/K
Power temperature coefficient (Pmax)	-0.37 %/K

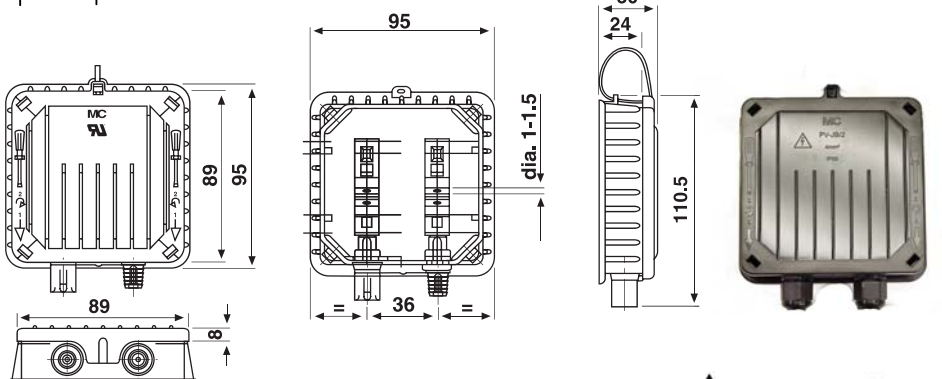
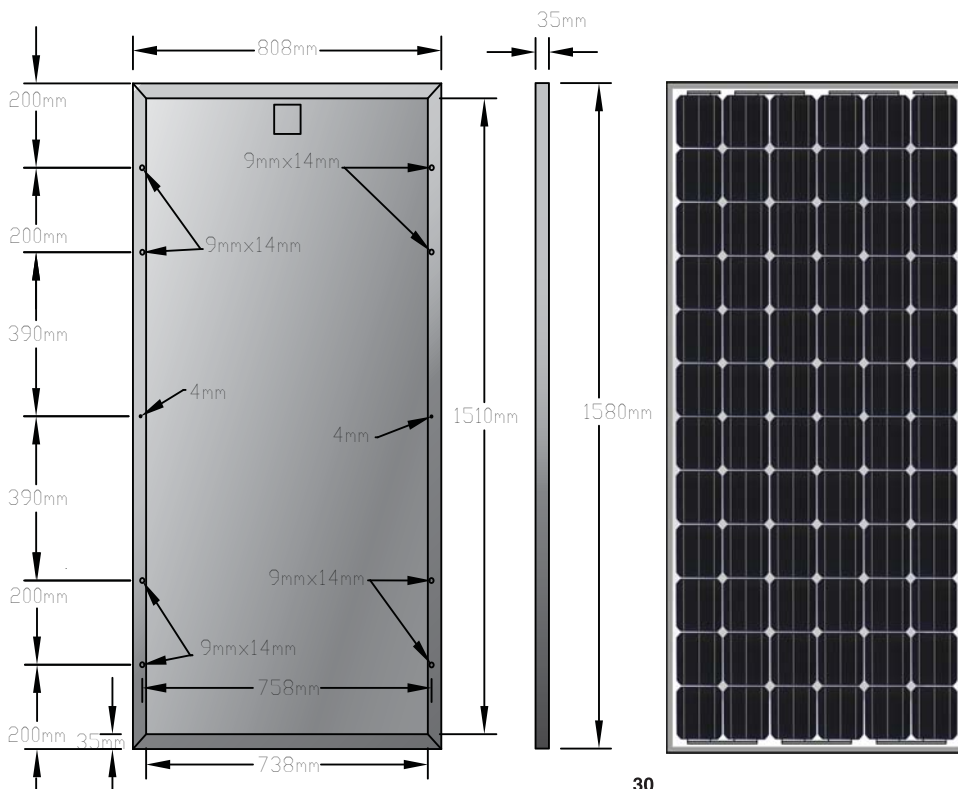
Mechanical Specifications

Cell construction	Monocrystalline silicon solar cell 125mm x 125mm
cell connections	6 x 12 = 72 cells
Module dimensions	1580mm x 808mm x 35mm
Junction box	IP65 (MC4 connectors)
Warranty	10yrs 90%, 25yrs 80%
Wind survivability	216 km/h or 2.3 Pa
Impact resistance	227g steel ball at 1m 90 degree impact
Impact resistance	3-1/4" hailstone at terminal velocity 90 degree impact
Snow loading on front face	5 kPa / 105 psf

Transport Specifications

No. solar panels per carton	2 Pieces
Carton size	1610mm x 838mm x 80mm
weight per panel	14.5 Kg
pallet size	1640mm x 868mm x 2210mm
Solar panels per pallet	52 Pieces
Pieces per 20F GP	442 Pieces
Pieces per 40F GP	910 Pieces

Specifications subject to change without notice



Big-King International Inc.

Kelowna BC
14000 Hwy 33 E
Kelowna BC V1P 1K2

International@BigKing.Biz

1-403-969-5464

Calgary AB
403 Malvern Drive NE
Calgary, AB T2A 5G8